

# SERVICE MANUAL

STEREO CASSETTE DECK

## SANSUI D-35CF

(Silver & Black Model)



### CAUTION

1. Parts identified by the  $\Delta$  symbol on the schematic diagram and the parts list are critical for safety. Use only replacement parts that have critical characteristics recommended by the manufacturer.
2. Make leakage-current or resistance measurements to determine that exposed parts are acceptably insulated from the supply circuit before returning the appliance to the customer.

### •SPECIFICATIONS

|   |   |
|---|---|
| Track format .....                                    | 4-track/2-channel system                        |
| Tape speed .....                                      | 4.8 cm/sec                                      |
| <b>Heads</b>  |   |
| Rec/play head .....                                   | HIGH-Bs hard permalloy                          |
| Erase head .....                                      | Double-grap HIGH-Bs ferrite                     |
| <b>Motor</b> .....                                    |   |
|   | Electronically controlled DC motor              |
|   | Reels: DC Motor                                 |
| Wow/flutter .....                                     | 0.06% max (WRMS)                                |
| <b>Fast forwarding (rewinding) time</b>               |   |
|   | Approx. 85 sec.<br>(for C-60 tape)              |
| <b>Frequency response</b> (—20 VU recording/playback) |   |
| Normal Tape (LH) .....                                | 20 to 15,000 Hz<br>(30 to 14,000 Hz $\pm$ 3 dB) |
| Chrome Tape .....                                     | 20 to 16,000 Hz<br>(30 to 15,000 Hz $\pm$ 3 dB) |
| Metal Tape .....                                      | 20 to 17,000 Hz<br>(30 to 16,000 Hz $\pm$ 3 dB) |
| <b>Erase rate (metal tape)</b>                        |   |
|   | 70 dB min (1 kHz)                               |
| <b>Recording bias frequency</b>                       |   |
|   | 85 kHz  |
| <b>Input sensitivity/impedance</b>                    |   |
| LINE IN (REC) .....                                   | 150 mV/47 kohms                                 |
| MIC .....   | 0.5 mV/10 kohms                                 |
| <b>Signal to noise ratio (Record/Playback)</b>        |   |
| Metal Tape (without Dolby Noise Reduction)            | ..... better than 54 dB                         |
| (With Dolby Noise Reduction Effect)                   |   |
| DOLBY "B" NR .....                                    | better than 64 dB<br>(above 5 kHz)              |
| DOLBY "C" NR .....                                    | better than 74 dB<br>(above 1 kHz)              |
| <b>Power requirements</b>                             |   |
| Power voltage .....                                   | 120/220/240V (50/60 Hz)                         |
|   | For U.S.A. and Canada                           |
|   | ..... 120V (60 Hz)                              |
| Power consumption .....                               | 15 watts  |
| <b>Dimensions</b> .....                               |   |
|   | 430 mm (16-15/16") W                            |
|   | 112 mm (4-7/16") H                              |
|   | 224 mm (8-15/16") D                             |
| <b>Weight</b> .....                                   |   |
|   | 3.3 kg (7.3 lbs.) net                           |

\* Design and specifications subject to changes without notice for improvements.

\* Noise reduction system manufactured under license from Dolby Laboratories Licensing Corporation.  
"Dolby" and the double D symbol are trade marks of Dolby Laboratories Licensing Corporation.

*Sansui*

SANSUI ELECTRIC CO., LTD.

## CAUTION

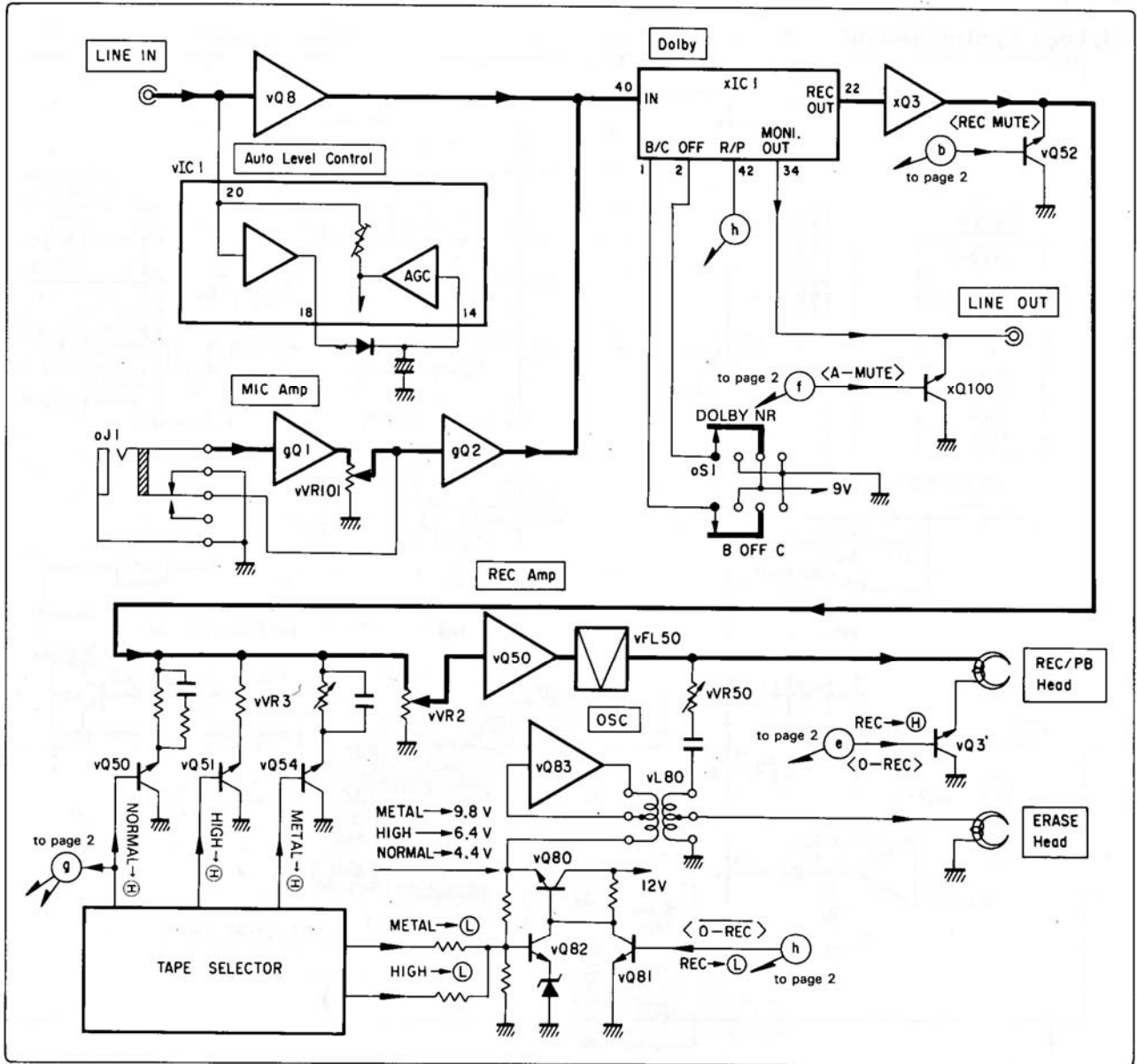
1. The symbols, UL, CSA, SA, BS, UK, EU, AS, XX <EXPORT> and XX-V <EXPORT(V)> on the parts list and the schematic diagram mean followings respectively.
  - UL..... Manufactured for U.S.A market.  
(Underwriters Laboratories approved model.)
  - CSA ..... Manufactured for Canadian market.
  - SA..... Manufactured for South African market.
  - BS, UK..... Manufactured for United Kingdom market.
  - EU ..... Manufactured for European market.
  - AS..... Manufactured for Australian market.
  - XX <EXPORT> ..... Standard Version with Inner Voltage Selector.
  - XX-V <EXPORT(V)> .... Standard Version with Outer Voltage Selector.
  - NON MARK ..... Common Parts.
  
2. Some printed circuit boards are not supplied as the assembled. To separate these in this service manual, the stock No's are not indicated at the ends of the board names. However, the individual parts on the circuit boards are provided by orders.
  
3. Since some of capacitors and resistors are omitted from parts lists in this service manual, refer to the Common Parts List for capacitors & resistors, which was issued on February 1983.
  
4. Abbreviations in this service manual are as follows.

### •Abbreviations List

|                                   |                                  |
|-----------------------------------|----------------------------------|
| C.R. : Carbon Resistor            | E.B.L. : Low Leak Bi-Polar       |
| S.R. : Solid Resistor             | Electrolytic Capacitor           |
| Ce.R. : Cement Resistor           | Ta.C. : Tantalum Capacitor       |
| M.R. : Metal Film Resistor        | F.C. : Film Capacitor            |
| F.R. : Fusing Resistor            | M.P. : Metalized Paper Capacitor |
| N.I.R. : Non-Inflammable Resistor | P.C. : Polystyrene Capacitor     |
| A.R. : Array Resistor             | G.C. : Gimmic Capacitor          |
| C.C. : Ceramic Capacitor          | A.C. : Array Capacitor           |
| C.T. : Ceramic Capacitor,         | V.R. : Variable Resistor         |
| Temperature Compensation          | S.V.R. : Semi Variable Resistor  |
| E.C. : Electrolytic Capacitor     | SW. : Switch                     |
| E.L. : Low Leak Electrolytic      | Chip R. : Chip Resistor          |
| Capacitor                         | Chip C. : Chip Capacitor         |
| E.B. : Bi-Polar Electrolytic      |                                  |
| Capacitor                         |                                  |



1-3. Recording Section <R-ch>



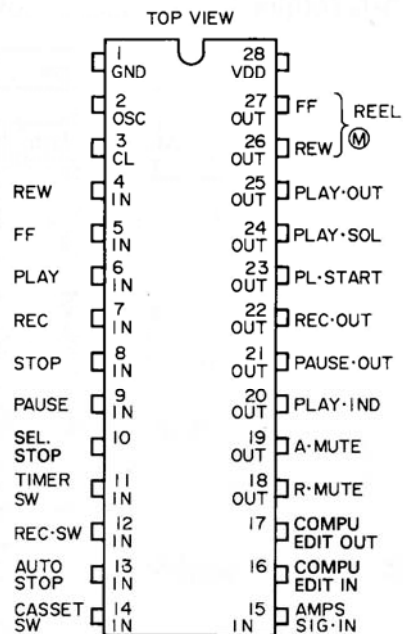
## 2. MODE OPERATION & TIMING CHART OF IC TC9310N-050

### •Mode Operation of IC TC9310N-050

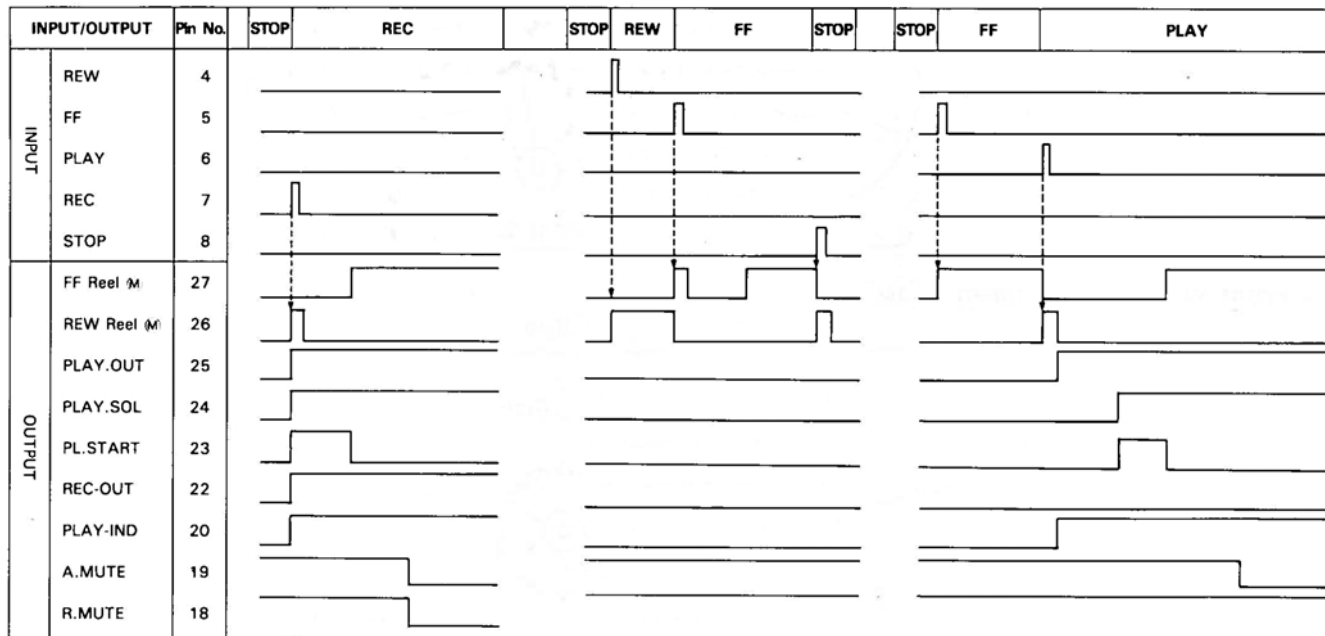
| PRESENT MODE \ INPUT KEY | STOP | PLAY       | F.F | REW    | REC           | PAUSE      | AUTO STOP | AMPS SIG.OFF |
|--------------------------|------|------------|-----|--------|---------------|------------|-----------|--------------|
| STOP                     | —    | PLAY       | F.F | REW    | REC (-)       | PAUSE      | /         | /            |
| PLAY                     | STOP | —          | CUE | REVIEW | —             | PLAY.PAUSE | STOP      | /            |
| F.F                      | STOP | PLAY       | —   | REW    | —             | —          | STOP      | /            |
| REW                      | STOP | PLAY       | F.F | —      | —             | —          | STOP      | /            |
| CUE                      | STOP | PLAY       | —   | REW    | —             | —          | STOP      | PLAY         |
| REVIEW                   | STOP | PLAY       | F.F | —      | —             | —          | STOP      | PLAY         |
| REC                      | STOP | —          | F.F | REW    | —             | REC.PAUSE  | STOP      | /            |
| PAUSE                    | STOP | PLAY.PAUSE | F.F | REW    | REC.PAUSE (-) | STOP       | /         | /            |
| PLAY.PAUSE               | STOP | —          | F.F | REW    | REC.PAUSE (-) | PLAY       | /         | /            |
| REC.PAUSE                | STOP | —          | F.F | REW    | —             | REC        | /         | /            |

- Note: 1. This table shows operation when one input key is depressed on present mode.  
 2. Que is in the state of PLAY mode under FF operation.  
 Review is in the state of PLAY mode under REW operation.  
 — mark means continuing present mode.  
 / mark means non relation with other input ports.

### •Pin-connection



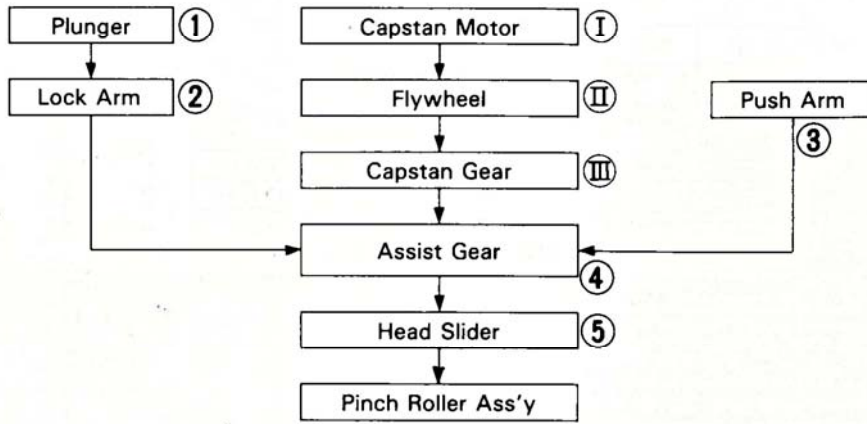
### •Microcomputer Timing Chart (REC, REW→FF→STOP, FF→PLAY)





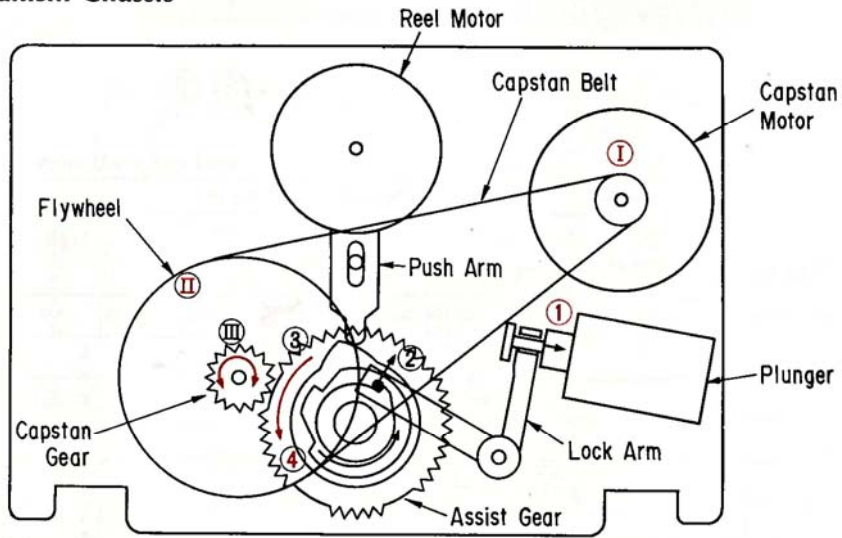
### 3. OPERATIONS OF PINCH ROLLER

#### 3-1. Torque Transportation Flowchart

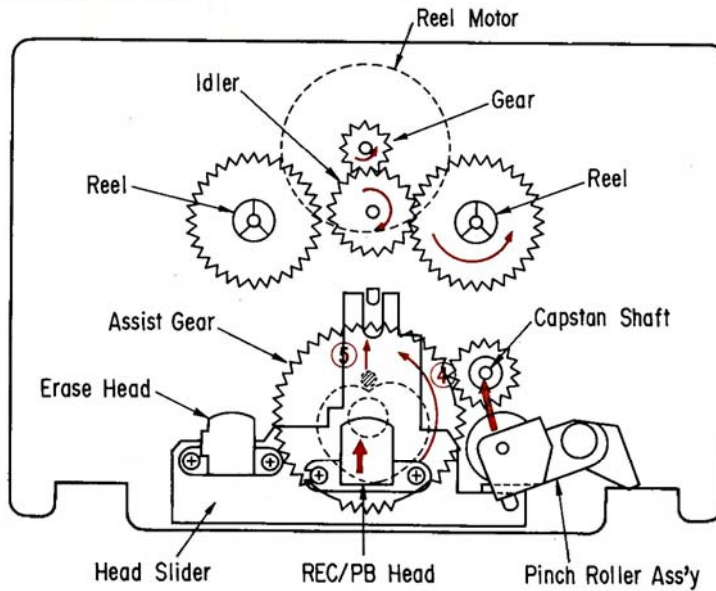


• The pinch roller is brought into pressure contact with the capstan shaft.

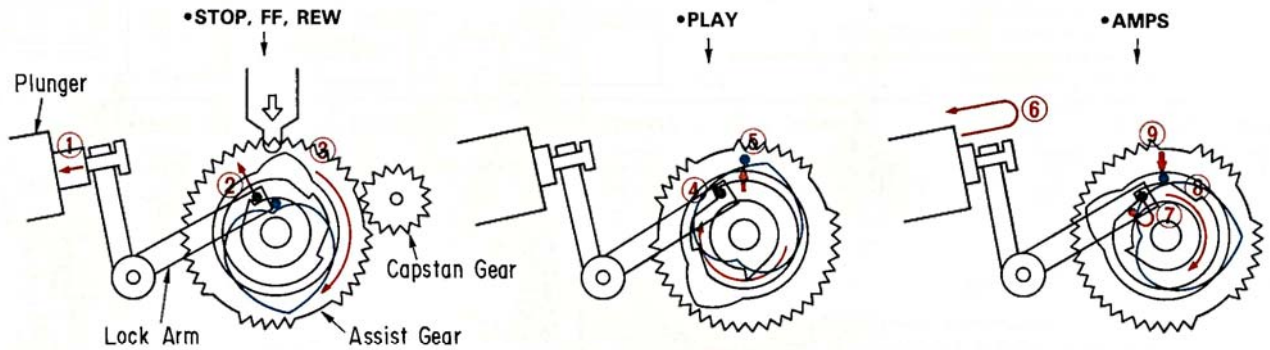
#### 3-2. Rear View of Mechanism Chassis



#### 3-3. Front View of Mechanism Chassis

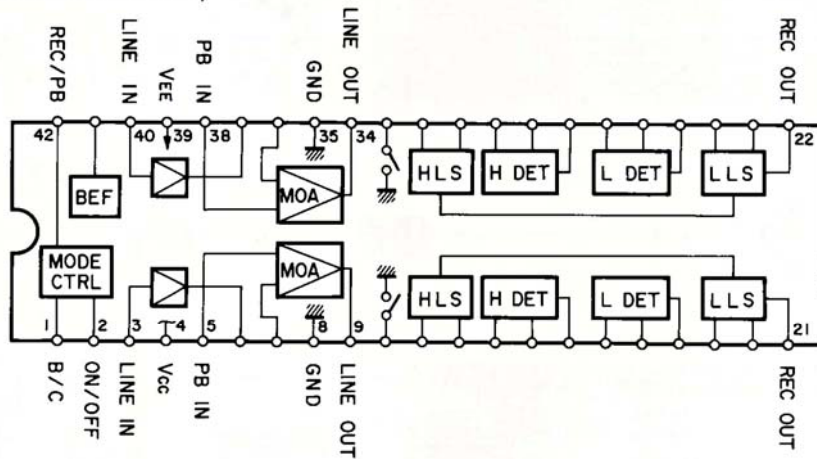


3-4. Cam Positions in the Modes of PLAY, FF, REW & STOP

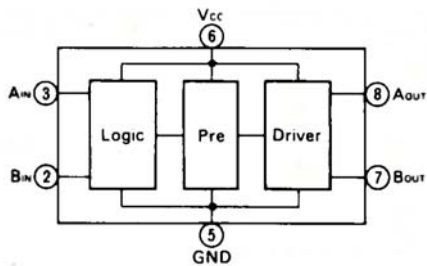


4. INTERIOR BLOCK DIAGRAM OF IC

•CX-20187 (Dolby Noise Reduction IC)



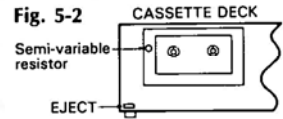
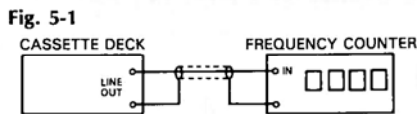
•BA6208 (Motor Drive IC)



## 5. ADJUSTMENTS

### 5-1. Tape Speed Adjustment

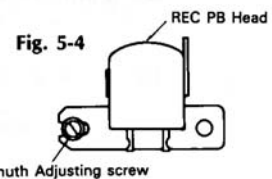
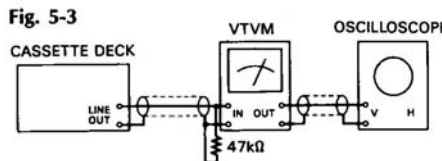
- Note:** 1. Use Sansui Test Tape, SCT-S3K (3 kHz signal is recorded on the tape).  
 2. Connections are shown in Fig. 5-1.  
 3. Remove the cassette lid. (Refer to removal of Lid Ass'y on Page 8)



| STEP | SUBJECT         | MEASURE OUTPUT             | SETTING                        | ADJUSTMENT                              | ADJUST FOR    | REMARKS                |
|------|-----------------|----------------------------|--------------------------------|---|---------------|------------------------|
| 1.   | Tape Speed Adj. | LINE OUT Frequency counter | Playback the TEST TAPE SCT-S3K | Turn semi-variable resistor as Fig. 5-2 | 3000Hz ± 45Hz | Use small screw driver |

### 5-2. Playback Adjustment

- Note:** 1. Before this adjustment, clean REC/P.B. head surface.  
 2. For this adjustment, use Sansui Test Tape, SCT-F10K, and SCT-L400.  
 3. Set the Dolby NR switch to be OFF.  
 4. Connections are shown in Fig. 5-3.

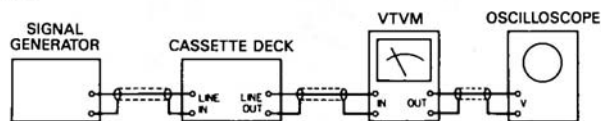


| STEP | SUBJECT                 | MEASURE OUTPUT   | SETTING                          | ADJUSTMENT                                     | ADJUST FOR                | REMARKS  |
|------|-------------------------|--|----------------------------------|--|---------------------------|--|
| 1.   | REC/P.B. Head Adj.      | LINE OUT VTVM and Scope  | Playback the TEST TAPE SCT-F10K  | Adjust the azimuth adjusting screw in Fig. 5-4 | MAX. Output both channels | Refer to removal of Lid Ass'y on Page 8. After this adjustment, lock the screw with paint. |
| 2.   | Playback Level Pre Adj. | Between Point A (L-CH) and GND/Point B (R-CH) and GND VTVM and Scope | Playback the TEST TAPE SCT-L400  | Adjust each vVR1 (L-CH and R-CH, F-4948)       | 10mV ± 2dB                | See Fig. 5-6 on Page 8.  |
| 3.   | Playback Level Adj.     | LINE OUT VTVM and Scope  | Playback the TEST TAPE, SCT-L400 | Adjust each xVR1 (L-CH and R-CH, F-4960)       | 320mV ± 2dB               | See Top View on Page 15.   |

### 5-3. REC Level & Frequency Response Adjustment

- Note:** 1. Connections are shown in Fig. 5-5.  
 2. Set the Dolby NR switch to be OFF.

Fig. 5-5

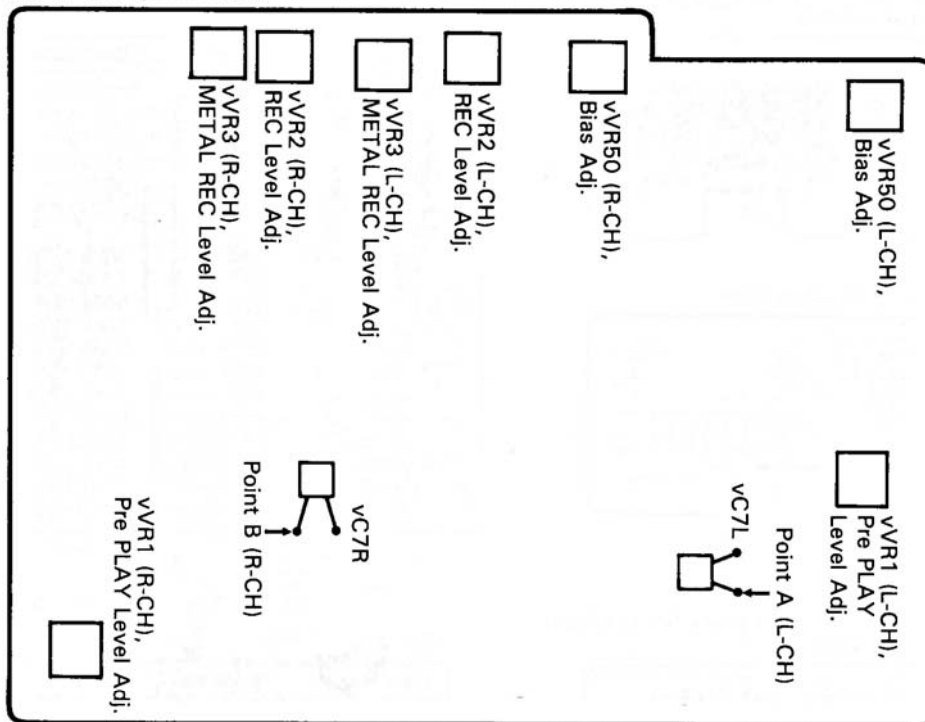


| STEP | SUBJECT                 | INPUT SIGNAL   | MEASURE OUTPUT          | SETTING   | ADJUSTMENT  | REMARKS                 |
|------|-------------------------|--|-------------------------|---|---|-------------------------|
| 1.   | REC Level Adj.          | Feed 1kHz, 50mV from S.G. into LINE IN.              | LINE OUT VTVM and Scope | Load the TEST TAPE SCT-SA.<br>1. Push REC knob.<br>2. Playback the 1kHz signal.   | Adjust vVR2 (L-CH and R-CH, F-4948) until playback level and output signal level on recording operation will be equal.              | See Fig. 5-6 on Page 8. |
| 2.   | Frequency Response Adj. | Feed 1kHz 15mV and 10kHz 15mV from S.G. into LINE IN | LINE OUT VTVM and Scope | Load the TEST TAPE SCT-SA.<br>1. Record the 1kHz and 10kHz signals from S.G.<br>2. Playback the 1kHz and 10kHz signals, then confirm 10kHz signal level in less than 1kHz signal level ± 2dB on VTVM. | 1. If not, adjust vVR50 (L-CH and R-CH, F-4948) slightly until the 10kHz signal level in less than 1kHz signal level ± 2dB on VTVM. | See Fig. 5-6 on Page 8. |
| 3.   | Metal REC Level Adj.    | Feed 1kHz, 50mV from S.G. into LINE IN               | LINE OUT VTVM and Scope | Load the TEST TAPE SCT-MA.<br>1. Push REC button.<br>2. Playback the 1kHz signal.   | Adjust vVR3 (L-CH and R-CH, F-4948) until playback level and output signal level on recording operation will be equal.              | See Fig. 5-6 on Page 8. |



Fig. 5-6

F-4948 <Component Side>



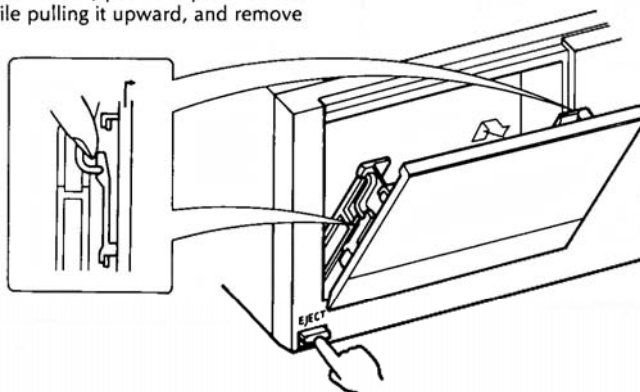
◆ List of Sansui Test Tape

| Name of TEST TAPE | Recorded Frequency | Description                                   | Equivalent To |
|-------------------|--------------------|---|---------------|
| SCT-F40           | 40 Hz              | Playback Frequency Response Check             | —             |
| SCT-F1K           | 1 kHz              | High Frequency Equalization Check             | —             |
| SCT-F10K          | 10 kHz             | REC/PB Head Adjustment                        | —             |
| SCT-L400N         | 400 Hz             | Playback Level and Indicator Level Adjustment | —             |
| SCT-S3K           | 3 kHz              | Speed Check and Wow & Flutter Check           | —             |
| *SCT-AD (NORMAL)  | —                  | Recording Bias Adjustment                     | TDK AD        |
| *SCT-SA (HIGH)    | —                  | REC/PB Level Adjustment                       | TDK SA        |
| *SCT-MA (METAL)   | —                  | Frequency Response Check                      | TDK MA        |

•Note: Some reference tapes marked \* are not supplied.  
As these are equivalent to ones indicated above, please obtain these blank tapes on your side as possible.

◆ Removement and Attachment of Lid Ass'y

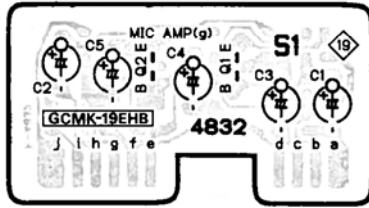
Push EJECT Knob to open the cassette holder, push the parts locked at the left and right in the figure while pulling it upward, and remove the lid ass'y.



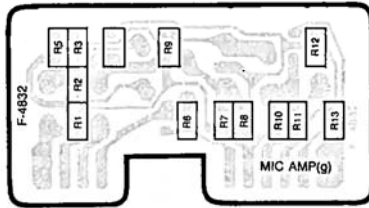
## 6. PARTS LOCATION & PARTS LIST

### 6-1. F-4832 Mic Amp. Board (Stock No. 00858601)

Component Side



Pattern Side < Chip Parts >

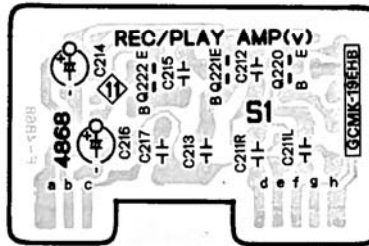


Parts List

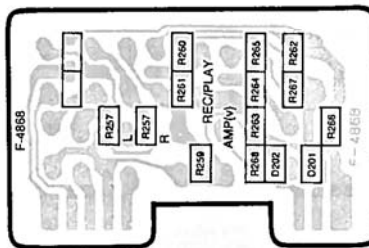
| Parts No.    | Stock No.   | Description        |
|--------------|-------------|--------------------|
| • Transistor |             |                    |
| gQ1          | 46577801    | 2SC2320L           |
|              | or 46581701 | 2SC1845            |
| gQ2          | 46367101    | 2SC2603            |
|              | or 46367301 | 2SC2458            |
|              | or 48058801 | 2SC1740S           |
| gR1          | 46750000    | 10kΩ 1/8W Chip R.  |
| gR2          | 46752800    | 150kΩ 1/8W Chip R. |
| gR3          | 46754400    | 680kΩ 1/8W Chip R. |
| gR4          | 46750000    | 10kΩ 1/8W Chip R.  |
| gR5          | 46741200    | 2.2Ω 1/8W Chip R.  |
| gR6          | 46747600    | 1kΩ 1/8W Chip R.   |
| gR8          | 46754800    | 1MΩ 1/8W Chip R.   |
| gR9          | 46749200    | 4.7kΩ 1/8W Chip R. |
| gR10         | 46752400    | 100kΩ 1/8W Chip R. |
| gR11         | 46750400    | 15kΩ 1/8W Chip R.  |
| gR12         | 46750400    | 15kΩ 1/8W Chip R.  |
| gR13         | 46747600    | 1kΩ 1/8W Chip R.   |

### 6-2. F-4868 AMPS Amp. Board (Stock No. 00859101)

Component Side



Pattern Side < Chip Parts >

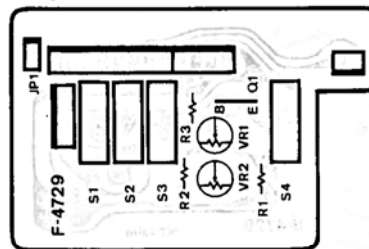


Parts List

| Parts No.    | Stock No.   | Description        |
|--------------|-------------|--------------------|
| • Transistor |             |                    |
| vQ221        | 46367101    | 2SC2603            |
|              | or 46367301 | 2SC2458            |
|              | or 48058801 | 2SC1740S           |
| vQ222        | 46367101    | 2SC2603            |
|              | or 46367301 | 2SC2458            |
|              | or 48058801 | 2SC1740S           |
| • Diode      |             |                    |
| vD201        | 46852000    | RLS-73             |
| vD202        | 46852000    | RLS-73             |
| vR257        | 46751600    | 47kΩ 1/8W Chip R.  |
| vR259        | 46753000    | 180kΩ 1/8W Chip R. |
| vR260        | 46750000    | 10kΩ 1/8W Chip R.  |
| vR261        | 46754400    | 680kΩ 1/8W Chip R. |
| vR262        | 46747000    | 560Ω 1/8W Chip R.  |
| vR263        | 46753000    | 180kΩ 1/8W Chip R. |
| vR264        | 46754400    | 680kΩ 1/8W Chip R. |
| vR265        | 46750000    | 10kΩ 1/8W Chip R.  |
| vR266        | 46747600    | 1kΩ 1/8W Chip R.   |
| vR267        | 46747000    | 560Ω 1/8W Chip R.  |
| vR268        | 46751600    | 47kΩ 1/8W Chip R.  |

### 6-3. F-4729 Cassette Half SW. Board

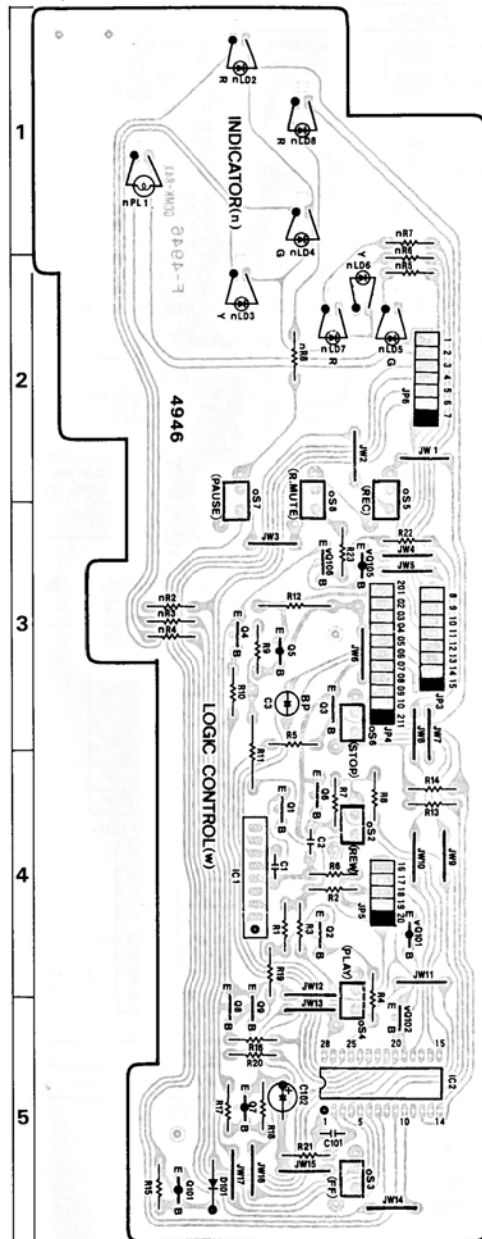
Component Side



Parts List

| Parts No. | Stock No. | Description         |
|-----------|-----------|---------------------|
| • Diode   |           |                     |
| tD1       | 03111600  | 1S2473              |
| tS1       | 47292710  | Leaf SW., half      |
| tS2       | 47292710  | Leaf SW., rec prev. |
| tS3       | 47292710  | Leaf SW., HIGH      |
| tS4       | 47292710  | Leaf SW., METAL     |

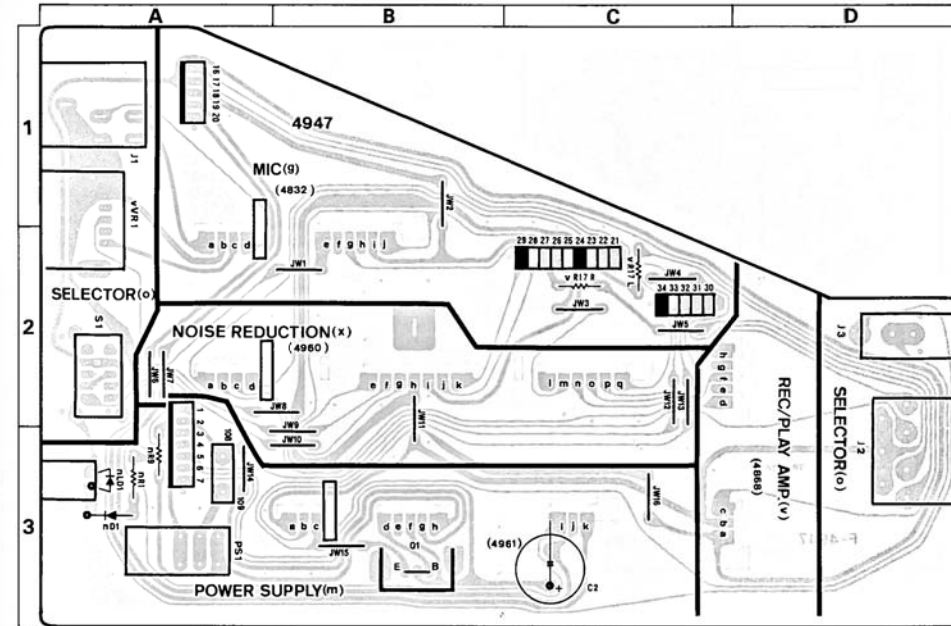
6-4. F-4946 Logic Control Board (Stock No. 00873701)  
Component Side



Parts List

| Parts No.   | Stock No.   | Description          |
|-------------|-------------|----------------------|
| •LED        |             |                      |
| nLD2        | 46176900    | TLS-123              |
|             | or 46470200 | SEL2210S             |
| nLD3        | 07251000    | TLY-123              |
|             | or 46470400 | SEL2910A             |
| nLD4        | 07250900    | TLG-123A             |
|             | or 46470300 | SEL2410E             |
| nLD5        | 07250900    | TLG-123A             |
|             | or 46470300 | SEL2410E             |
| nLD6        | 07251000    | TLY-123              |
|             | or 46470400 | SEL2910A             |
| nLD7        | 46176900    | TLS-123              |
|             | or 46470200 | SEL2210S             |
| nLD8        | 46176900    | TLS-123              |
|             | or 46470200 | SEL2210S             |
| nPL1        | 48191900    | Pilot Lamp 12V 0.15A |
| oS2         | 46396700    | Push SW., REW        |
| oS3         | 46396700    | Push SW., F.FWD      |
| oS4         | 46396700    | Push SW., PLAY       |
| oS5         | 46396700    | Push SW., REC        |
| oS6         | 46396700    | Push SW., STOP       |
| oS7         | 46396700    | Push SW., PAUSE      |
| oS8         | 46396700    | Push SW., REC MUTE   |
| •Transistor |             |                      |
| vQ101       | 46719800    | DTA124ES             |
| vQ102       | 46719900    | DTC124               |
| vQ105       | 46719800    | DTA124ES             |
| vQ106       | 46367101    | 2SC2603              |
|             | or 46367301 | 2SC2458              |
|             | or 48058801 | 2SC1740S             |
| ΔwQ1        | 46614101    | 2SC3243              |
| wQ2         | 46367101    | 2SC2603              |
|             | or 46367301 | 2SC2458              |
|             | or 48058801 | 2SC1740S             |
| ΔwQ3        | 46359801    | 2SC2001              |
| Δ           | or 46614101 | 2SC3243              |
| Δ           | or 48055901 | 2SD1468S             |
| wQ4         | 46367101    | 2SC2603              |
|             | or 46367301 | 2SC2458              |
|             | or 48058801 | 2SC1740S             |
| ΔwQ5        | 46359701    | 2SA952               |
| Δ           | or 46614001 | 2SA1283              |
| wQ6         | 46367101    | 2SC2603              |
|             | or 46367301 | 2SC2458              |
|             | or 48058801 | 2SC1740S             |
| wQ7         | 46367001    | 2SA1115              |
|             | or 46392001 | 2SA1175              |
| wQ8         | 46367101    | 2SC2603              |
|             | or 46367301 | 2SC2458              |
|             | or 48058801 | 2SC1740S             |
| wQ9         | 46367101    | 2SC2603              |
|             | or 46367301 | 2SC2458              |
|             | or 48058801 | 2SC1740S             |
| wQ101       | 46367001    | 2SA1115              |
|             | or 46392001 | 2SA1175              |
| •IC         |             |                      |
| wIC1        | 46149600    | BA6208               |
| wIC2        | 46948000    | TC9310N-050          |
| •Diode      |             |                      |
| wD1Q1       | 03117600    | 1S2473T77            |
|             | or 46086000 | 1S1588TP-3           |
| wC3         | 08450800    | 3.3μF 16V E.B.       |
| wC101       | 46695400    | 0.012μF 50V F.C.     |
| ΔwR11       | 46248900    | 47Ω 1W N.I.R.        |
| ΔwR12       | 46249200    | 82Ω 1W N.I.R.        |

6-5. F-4947 Input & Output Terminal Board (Stock No. 00873501)  
Component Side

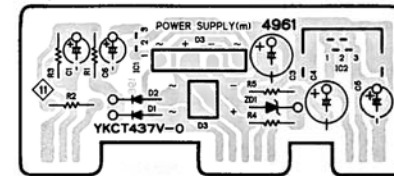


Parts List

| Parts No.   | Stock No.   | Description |
|-------------|-------------|-------------|
| •Transistor |             |             |
| ΔmQ1        | 03086101    | 2SD357      |
| •Diode      |             |             |
| ΔnD1        | 03117600    | 1S2473T77   |
| Δ           | or 46086000 | 1S1588TP-3  |
| •LED        |             |             |
| nLD1        | 46176900    | TLS-123     |
|             | or 46470200 | SEL2210S    |

| Parts No. | Stock No. | Description               |
|-----------|-----------|---------------------------|
| ΔnR9      | 46227800  | 10Ω 1/2W N.I.R.           |
| oS1       | 48126800  | Slide SW., DOLBY NR       |
| oS1       | 24306100  | Jack, MIC                 |
| ΔoS3      | 46547200  | Mini Jack, COMPU SELECTOR |
| oS2       | 46371500  | 4P Terminal, LINE OUT     |
| ΔpS1      | 48172700  | Push SW., POWER           |
| vVR101    | 48172800  | 50kΩ (A) V.R., MIC LEVEL  |

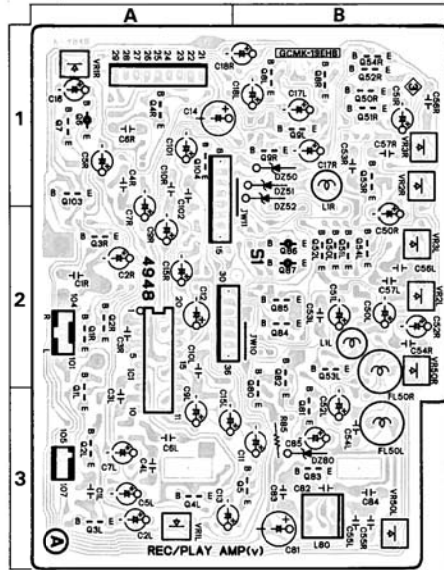
6-6. F-4961 Power Supply Board (Stock No. 00896501)  
Component Side



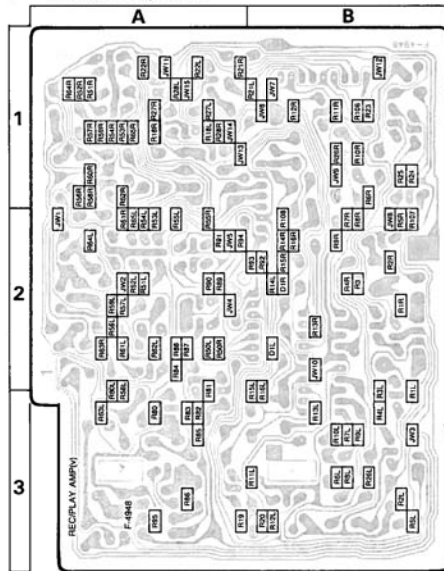
Parts List

| Parts No.    | Stock No.   | Description |
|--------------|-------------|-------------|
| •IC          |             |             |
| ΔmIC1        | 46144200    | NJM78M05A   |
| Δ            | or 46359400 | L78N05      |
| ΔmIC2        | 46144500    | NJM78M09A   |
| Δ            | or 46499800 | L78N09      |
| •Diode       |             |             |
| ΔmD1         | 03117600    | 1S2473T77   |
| Δ            | or 46086000 | 1S1588TP-3  |
| ΔmD2         | 03117600    | 1S2473T77   |
| Δ            | or 46086000 | 1S1588TP-3  |
| ΔmD3         | 46273600    | DBB10-B     |
| •Zener Diode |             |             |
| mDZ1         | 46113800    | 05Z12-X     |

6-7. F-4948 REC & PLAY Amp. Board (Stock No. 00872801)  
Component Side



Pattern Side <Chip Parts>



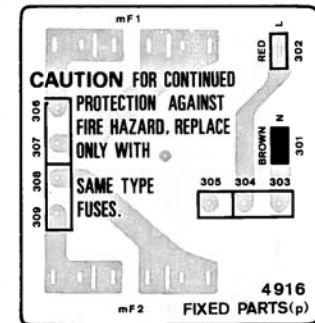
Parts List

| Parts No.    | Stock No.   | Description |
|--------------|-------------|-------------|
| *Transistor  |             |             |
| vQ1          | 46581701    | 2SC1845     |
| vQ2          | 46581701    | 2SC1845     |
| vQ3          | 46359801    | 2SC2001     |
|              | or 48055901 | 2SD1468S    |
| vQ4          | 46367101    | 2SC2603     |
|              | or 46367301 | 2SC2458     |
|              | or 48058801 | 2SC1740S    |
| vQ5          | 46367101    | 2SC2603     |
|              | or 46367301 | 2SC2458     |
|              | or 48058801 | 2SC1740S    |
| vQ6          | 46719800    | DTA124ES    |
| vQ7          | 46367101    | 2SC2603     |
|              | or 46367301 | 2SC2458     |
|              | or 48058801 | 2SC1740S    |
| vQ8          | 46367101    | 2SC2603     |
|              | or 46367301 | 2SC2458     |
|              | or 48058801 | 2SC1740S    |
| vQ9          | 46367101    | 2SC2603     |
|              | or 46367301 | 2SC2458     |
|              | or 48058801 | 2SC1740S    |
| vQ50         | 46367101    | 2SC2603     |
|              | or 46367301 | 2SC2458     |
|              | or 48058801 | 2SC1740S    |
| vQ51         | 46367101    | 2SC2603     |
|              | or 46367301 | 2SC2458     |
|              | or 48058801 | 2SC1740S    |
| vQ52         | 46367101    | 2SC2603     |
|              | or 46367301 | 2SC2458     |
|              | or 48058801 | 2SC1740S    |
| vQ53         | 46367101    | 2SC2603     |
|              | or 46367301 | 2SC2458     |
|              | or 48058801 | 2SC1740S    |
| vQ54         | 46367101    | 2SC2603     |
|              | or 46367301 | 2SC2458     |
|              | or 48058801 | 2SC1740S    |
| vQ80         | 46614101    | 2SC3243     |
| vQ81         | 46367101    | 2SC2603     |
|              | or 46367301 | 2SC2458     |
|              | or 48058801 | 2SC1740S    |
| vQ82         | 46367101    | 2SC2603     |
|              | or 46367301 | 2SC2458     |
|              | or 48058801 | 2SC1740S    |
| vQ83         | 48061801    | 2SC3244     |
| vQ84         | 46367101    | 2SC2603     |
|              | or 46367301 | 2SC2458     |
|              | or 48058801 | 2SC1740S    |
| vQ85         | 46367101    | 2SC2603     |
|              | or 46367301 | 2SC2458     |
|              | or 48058801 | 2SC1740S    |
| vQ86         | 46367001    | 2SA1115     |
|              | or 46392001 | 2SA1175     |
|              | or 48058601 | 2SA933S     |
| vQ87         | 46367001    | 2SA1115     |
|              | or 46392001 | 2SA1175     |
|              | or 48058601 | 2SA933S     |
| vQ103        | 46367101    | 2SC2603     |
|              | or 46367301 | 2SC2458     |
|              | or 48058801 | 2SC1740S    |
| vQ104        | 46367101    | 2SC2603     |
|              | or 46367301 | 2SC2458     |
|              | or 48058801 | 2SC1740S    |
| *IC          |             |             |
| vIC1         | 46362100    | M51161P     |
| *Diode       |             |             |
| vD1          | 46852000    | RLS-73      |
| *Zener Diode |             |             |
| vDZ50        | 46111100    | 05Z5.1-X    |
|              | or 46111200 | 05Z5.1-Y    |
|              | or 46111300 | 05Z5.1-Z    |

| Parts No. | Stock No.   | Description            |
|-----------|-------------|------------------------|
| vDZ51     | 46111100    | 05Z5.1-X               |
|           | or 46111200 | 05Z5.1-Y               |
|           | or 46111300 | 05Z5.1-Z               |
| vDZ52     | 46111100    | 05Z5.1-X               |
|           | or 46111200 | 05Z5.1-Y               |
|           | or 46111300 | 05Z5.1-Z               |
| vDZ80     | 46109400    | 05Z3.0-Y               |
| vJW1      | 46741100    | Cross Conductor (Chip) |
| vJW2      | 46741100    | Cross Conductor (Chip) |
| vJW3      | 46741100    | Cross Conductor (Chip) |
| vJW4      | 46741100    | Cross Conductor (Chip) |
| vJW5      | 46741100    | Cross Conductor (Chip) |
| vJW6      | 46741100    | Cross Conductor (Chip) |
| vJW7      | 46741100    | Cross Conductor (Chip) |
| vJW8      | 46741100    | Cross Conductor (Chip) |
| vJW9      | 46741100    | Cross Conductor (Chip) |
| vJW10     | 46741100    | Cross Conductor (Chip) |
| vJW11     | 46741100    | Cross Conductor (Chip) |
| vJW12     | 46741100    | Cross Conductor (Chip) |
| vJW13     | 46741100    | Cross Conductor (Chip) |
| vJW14     | 46741100    | Cross Conductor (Chip) |
| vJW15     | 46741100    | Cross Conductor (Chip) |
| vR1       | 46742800    | 10Ω 1/8W Chip R.       |
| vR2       | 46751800    | 56kΩ 1/8W Chip R.      |
| vR3       | 46750400    | 15kΩ 1/8W Chip R.      |
| vR4       | 46748800    | 3.3kΩ 1/8W Chip R.     |
| vR5       | 46748400    | 2.2kΩ 1/8W Chip R.     |
| vR6       | 46746600    | 390Ω 1/8W Chip R.      |
| vR7       | 46748400    | 2.2kΩ 1/8W Chip R.     |
| vR8       | 46752600    | 120kΩ 1/8W Chip R.     |
| vR9       | 46750400    | 15kΩ 1/8W Chip R.      |
| vR10      | 46746200    | 270Ω 1/8W Chip R.      |
| vR11      | 46753200    | 220kΩ 1/8W Chip R.     |
| vR12      | 46750800    | 22kΩ 1/8W Chip R.      |
| vR13      | 46745200    | 100Ω 1/8W Chip R.      |
| vR14      | 46748400    | 2.2kΩ 1/8W Chip R.     |
| vR15      | 46747400    | 820Ω 1/8W Chip R.      |
| vR16      | 46746200    | 270Ω 1/8W Chip R.      |
| vR18      | 46749300    | 5.1kΩ 1/8W Chip R.     |
| vR19      | 46750800    | 22kΩ 1/8W Chip R.      |
| vR20      | 46748400    | 2.2kΩ 1/8W Chip R.     |
| vR21      | 46749200    | 4.7kΩ 1/8W Chip R.     |
| vR22      | 46753200    | 220kΩ 1/8W Chip R.     |
| vR23      | 46747600    | 1kΩ 1/8W Chip R.       |
| vR24      | 46750800    | 22kΩ 1/8W Chip R.      |
| vR25      | 46750800    | 22kΩ 1/8W Chip R.      |
| vR26      | 46750000    | 10kΩ 1/8W Chip R.      |
| vR27      | 46749200    | 4.7kΩ 1/8W Chip R.     |
| vR28      | 46750000    | 10kΩ 1/8W Chip R.      |
| vR50      | 46749200    | 4.7kΩ 1/8W Chip R.     |
| vR51      | 46749000    | 3.9kΩ 1/8W Chip R.     |
| vR52      | 46749800    | 8.2kΩ 1/8W Chip R.     |
| vR53      | 46750000    | 10kΩ 1/8W Chip R.      |
| vR54      | 46750000    | 10kΩ 1/8W Chip R.      |
| vR55      | 46749200    | 4.7kΩ 1/8W Chip R.     |
| vR56      | 46750000    | 10kΩ 1/8W Chip R.      |
| vR57      | 46749800    | 8.2kΩ 1/8W Chip R.     |
| vR58      | 46754400    | 680kΩ 1/8W Chip R.     |
| vR59      | 46753400    | 270kΩ 1/8W Chip R.     |
| vR60      | 46750400    | 15kΩ 1/8W Chip R.      |
| vR61      | 46747600    | 1kΩ 1/8W Chip R.       |
| vR62      | 46744000    | 33Ω 1/8W Chip R.       |
| vR63      | 46748400    | 2.2kΩ 1/8W Chip R.     |
| vR64      | 46749600    | 6.8kΩ 1/8W Chip R.     |
| vR65      | 46750000    | 10kΩ 1/8W Chip R.      |
| vR80      | 46750000    | 10kΩ 1/8W Chip R.      |
| vR81      | 46747600    | 1kΩ 1/8W Chip R.       |
| vR82      | 46747200    | 680Ω 1/8W Chip R.      |
| vR83      | 46749200    | 4.7kΩ 1/8W Chip R.     |
| vR84      | 46750800    | 22kΩ 1/8W Chip R.      |
| vR85      | 46742800    | 10Ω 1/8W Chip R.       |

| Parts No. | Stock No. | Description                       |
|-----------|-----------|-----------------------------------|
| vR86      | 46750000  | 10kΩ 1/8W Chip R.                 |
| vR87      | 46749800  | 8.2kΩ 1/8W Chip R.                |
| vR88      | 46748800  | 3.3kΩ 1/8W Chip R.                |
| vR89      | 46750800  | 22kΩ 1/8W Chip R.                 |
| vR90      | 46750800  | 22kΩ 1/8W Chip R.                 |
| vR91      | 46752400  | 100kΩ 1/8W Chip R.                |
| vR92      | 46748400  | 2.2kΩ 1/8W Chip R.                |
| vR93      | 46748400  | 2.2kΩ 1/8W Chip R.                |
| vR94      | 46752400  | 100kΩ 1/8W Chip R.                |
| vR95      | 46742000  | 4.7Ω 1/8W Chip R.                 |
| vR104     | 46750800  | 22kΩ 1/8W Chip R.                 |
| vR105     | 46750800  | 22kΩ 1/8W Chip R.                 |
| vR106     | 46747600  | 1kΩ 1/8W Chip R.                  |
| vR107     | 46751600  | 47kΩ 1/8W Chip R.                 |
| vR108     | 46747600  | 1kΩ 1/8W Chip R.                  |
| vR109     | 46750000  | 10kΩ 1/8W Chip R.                 |
| vR110     | 46751600  | 47kΩ 1/8W Chip R.                 |
| vC84      | 46657000  | 3900pF 100V F.C.                  |
| vFL50     | 42904400  | Peaking Coil                      |
| vL1       | 48121500  | Inductor 2.7mH                    |
| vL80      | 46362200  | Bias OSC Coil                     |
| vVR1      | 48078400  | 470Ω S.V.R., Pre PLAY Level Adj.  |
| vVR2      | 48079600  | 47kΩ S.V.R., REC Level Adj.       |
| vVR3      | 48079600  | 47kΩ S.V.R., METAL REC Level Adj. |
| vVR50     | 48079800  | 100kΩ S.V.R., Bias Adj.           |

6-8. F-4916 Fuse Board  
Component Side

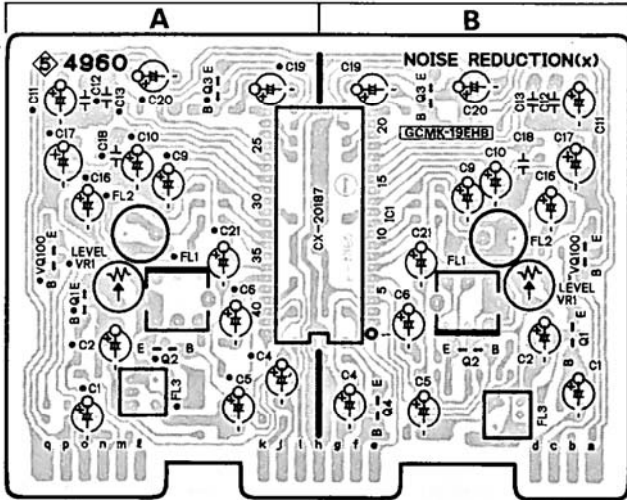


Parts List

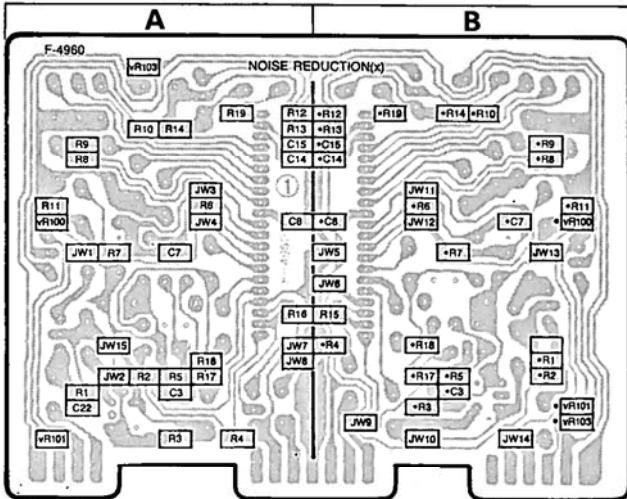
| Parts No. | Stock No. | Description           |
|-----------|-----------|-----------------------|
| ΔmF1      | 07184600  | Fuse 800mA (EU,BS,AS) |



6-9. F-4960 Noise Reduction Board (Stock No. 00873601)  
Component Side



Pattern Side <Chip Parts>



•Note: On this circuit board, the right channel is specified by "•" mark on top of the parts No.

Parts List

| Parts No.   | Stock No.   | Description                     |
|-------------|-------------|---------------------------------|
| •Transistor |             |                                 |
| xQ1         | 46367101    | 2SC2603                         |
|             | or 46367301 | 2SC2458                         |
|             | or 48058801 | 2SC1740S                        |
| xQ2         | 46367101    | 2SC2603                         |
|             | or 46367301 | 2SC2458                         |
|             | or 48058801 | 2SC1740S                        |
| xQ3         | 46367101    | 2SC2603                         |
|             | or 46367301 | 2SC2458                         |
|             | or 48058801 | 2SC1740S                        |
| xQ4         | 46719900    | DTC124                          |
| xQ100       | 46367101    | 2SC2603                         |
|             | or 46367301 | 2SC2458                         |
|             | or 48058801 | 2SC1740S                        |
| •IC         |             |                                 |
| xC1         | 48179900    | CX-20187                        |
| xJW1        | 46741100    | Cross Conductor (Chip)          |
| xJW2        | 46741100    | Cross Conductor (Chip)          |
| xJW3        | 46741100    | Cross Conductor (Chip)          |
| xJW4        | 46741100    | Cross Conductor (Chip)          |
| xJW5        | 46741100    | Cross Conductor (Chip)          |
| xJW6        | 46741100    | Cross Conductor (Chip)          |
| xJW7        | 46741100    | Cross Conductor (Chip)          |
| xJW8        | 46741100    | Cross Conductor (Chip)          |
| xJW9        | 46741100    | Cross Conductor (Chip)          |
| xJW10       | 46741100    | Cross Conductor (Chip)          |
| xJW11       | 46741100    | Cross Conductor (Chip)          |
| xJW12       | 46741100    | Cross Conductor (Chip)          |
| xJW13       | 46741100    | Cross Conductor (Chip)          |
| xJW14       | 46741100    | Cross Conductor (Chip)          |
| xJW15       | 46741100    | Cross Conductor (Chip)          |
| xR1         | 46753200    | 220kΩ 1/8W Chip R.              |
| xR2         | 46748400    | 2.2kΩ 1/8W Chip R.              |
| xR3         | 46749400    | 5.6kΩ 1/8W Chip R.              |
| xR4         | 46749200    | 4.7kΩ 1/8W Chip R.              |
| xR5         | 46754800    | 1MΩ 1/8W Chip R.                |
| xR6         | 46746700    | 430Ω 1/8W Chip R.               |
| xR7         | 46748500    | 2.4kΩ 1/8W Chip R.              |
| xR8         | 46749300    | 5.1kΩ 1/8W Chip R.              |
| xR9         | 46749600    | 6.8kΩ 1/8W Chip R.              |
| xR10        | 46747200    | 680Ω 1/8W Chip R.               |
| xR11        | 46751600    | 47kΩ 1/8W Chip R.               |
| xR12        | 46748600    | 2.7kΩ 1/8W Chip R.              |
| xR13        | 46747600    | 1kΩ 1/8W Chip R.                |
| xR14        | 46753200    | 220kΩ 1/8W Chip R.              |
| xR15        | 46752400    | 100kΩ 1/8W Chip R.              |
| xR16        | 46750800    | 22kΩ 1/8W Chip R.               |
| xR17        | 46749400    | 5.6kΩ 1/8W Chip R.              |
| xR18        | 46748600    | 2.7kΩ 1/8W Chip R.              |
| xR19        | 46745200    | 100Ω 1/8W Chip R.               |
| xR100       | 46748600    | 2.7kΩ 1/8W Chip R.              |
| xR101       | 46748400    | 2.2kΩ 1/8W Chip R.              |
| xR103       | 46748400    | 2.2kΩ 1/8W Chip R.              |
| xC3         | 46794800    | 2700pF 50V Chip C.              |
| xC7         | 46779900    | 560pF 50V Chip C.               |
| xC8         | 46795100    | 4700pF 50V Chip C.              |
| xC14        | 46795300    | 6800pF 50V Chip C.              |
| xC15        | 46795500    | 10000pF 50V Chip C.             |
| xC22        | 46778100    | 100pF 50V Chip C.               |
| xFL1        | 46177500    | DOLBY Filter                    |
|             | or 46177501 | DOLBY Filter                    |
| xFL2        | 48193300    | DOLBY Filter (SQ)               |
| xVR1        | 46633700    | 1kΩ (B) S.V.R., PLAY Level Adj. |

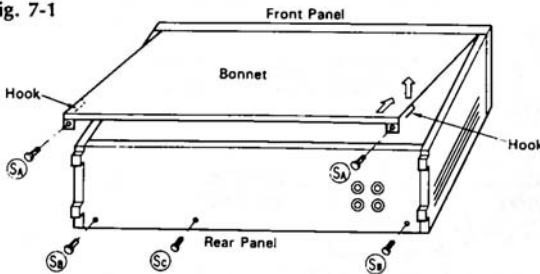


## 7. MAIN PARTS REPLACEMENT (See Exploded View on page 14)

### A. Bonnet (See Fig. 7-1)

- 1) Remove two screws ⑤.
- 2) Push the rear side of the bonnet to remove the hooks and then remove bonnet.

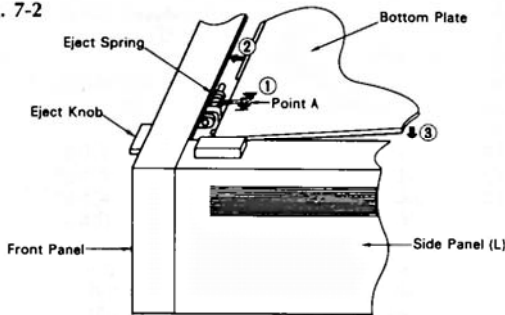
Fig. 7-1



### B. Bottom Plate

- 1) Remove two screws ⑥ (See Fig. 7-1).
  - 2) Push the rear side of the bottom plate to remove the hooks and then remove bonnet.
- \* Install the bottom plate after matching eject spring with Point A of bottom plate. (See Fig. 7-2)

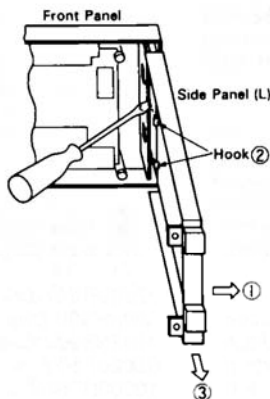
Fig. 7-2



### C. Side Panel L (R) (See Fig. 7-3)

- 1) Remove bonnet and bottom plate.
- 2) Shift the position of the side panel L (R) 1.5 cm in to the arrow direction ①.
- 3) Remove the hools ② of the side panel from front panel and then pull it to the arrow direction ③ to remove the side panel L (R).

Fig. 7-3



### D. Mechanism Ass'y

- 1) Remove bonnet and bottom plate.
- 2) Extract five connectors.
- 3) Take off counter belt around the counter pulley.
- 4) Loosen four screws to remove mechanism Ass'y.
- 5) Push the eject knob to open cassette holder.
- 6) Take out the mechanism Ass'y.

**Note:** To attach the mechanism Ass'y, put the counter belt at the reel groove and insert the damper shaft into the pipe of damper first.

### E. Rec/PB Head ⑳

- 1) Remove the mechanism ass'y from set.
- 2) Unsolder head read wires.
- 3) Loosen two screws.

### F. Pinch Roller Ass'y ④

- 1) Remove the mechanism ass'y from set.
- 2) Pull out the lock pin ③.
- 3) Take out the pinchroller ass'y.

### G. Reel Gear Ass'y ⑰

- 1) Remove the mechanism ass'y from set.
- 2) Take off two washer ⑮, ⑯ to pull out reel gear.

### H. Capstan Motor ⑳, Reel Motor ㉓, Capstan Belt ㉔, Flywheel ㉕, Plunger Solenoid ㉖

- 1) Remove the mechanism ass'y from set.
- 2) Extract two connectors on the F-4948 circuit board.
- 3) Remove the F-4948 circuit board from the mechanism Ass'y.
- 4) Take out shield plate ㉗.
- 5) Loosen four screws ㉘ fastening sub chassis ㉙.

### I. Damper Ass'y

- 1) Hold the damper holder to fix it, and push the damper ass'y to the arrow direction as Fig. 7-4, so that the damper ass'y is removed from the damper holder. (See Fig. 7-4)
- 2) Pinch the joint portion of the joint shaft and the damper ass'y, and remove the joint shaft from the groove of the damper holder after a little twist to the left. (See Fig. 7-5)
- 3) Turn up the damper end, to set the slit of the damper ass'y to the projection of the joint shaft. Then pull out the damper ass'y from the joint shaft. (See Fig. 7-6)

Fig. 7-4

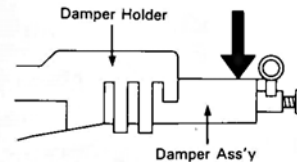


Fig. 7-5

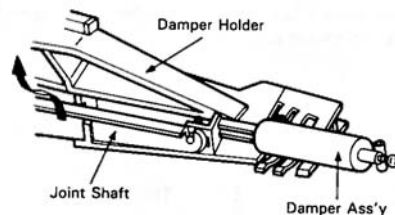
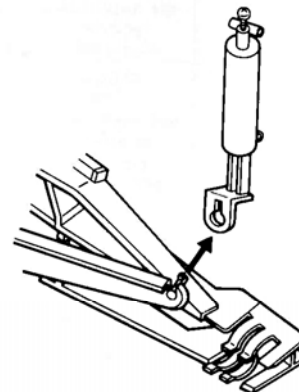


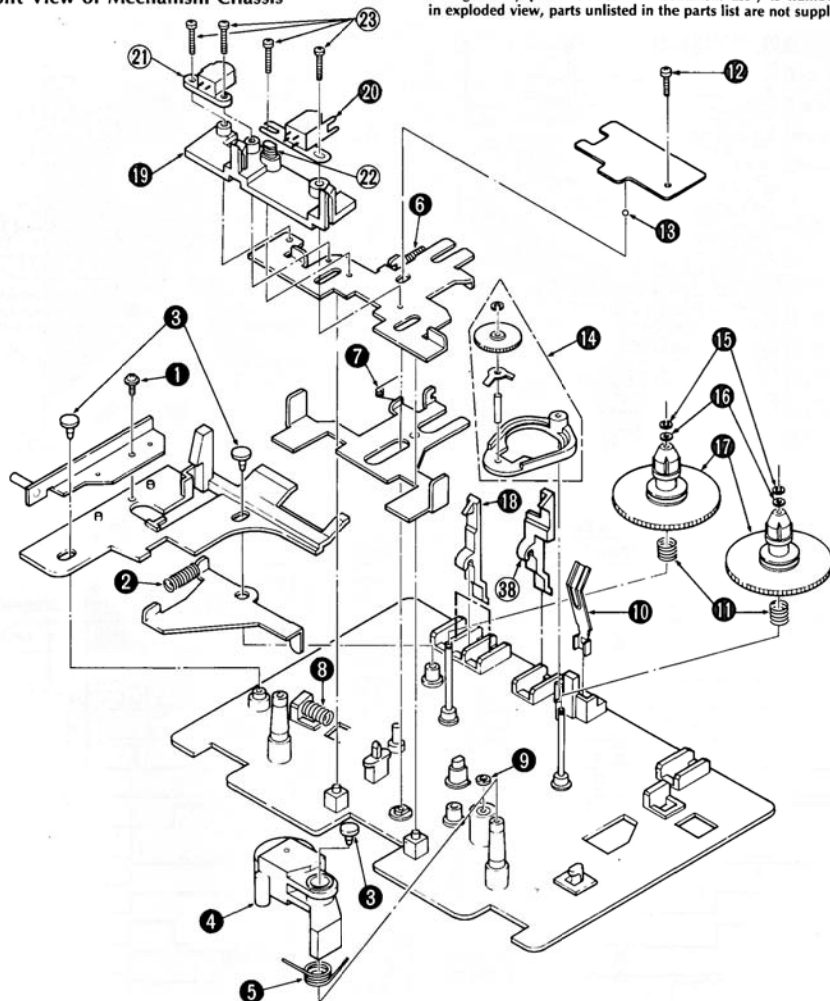
Fig. 7-6



## 8. EXPLODED VIEW OF MECHANISM ASS'Y & PARTS LIST

8-1. Front View of Mechanism Chassis

• Though every part included in mechanism ass'y is numbered in exploded view, parts unlisted in the parts list are not supplied.

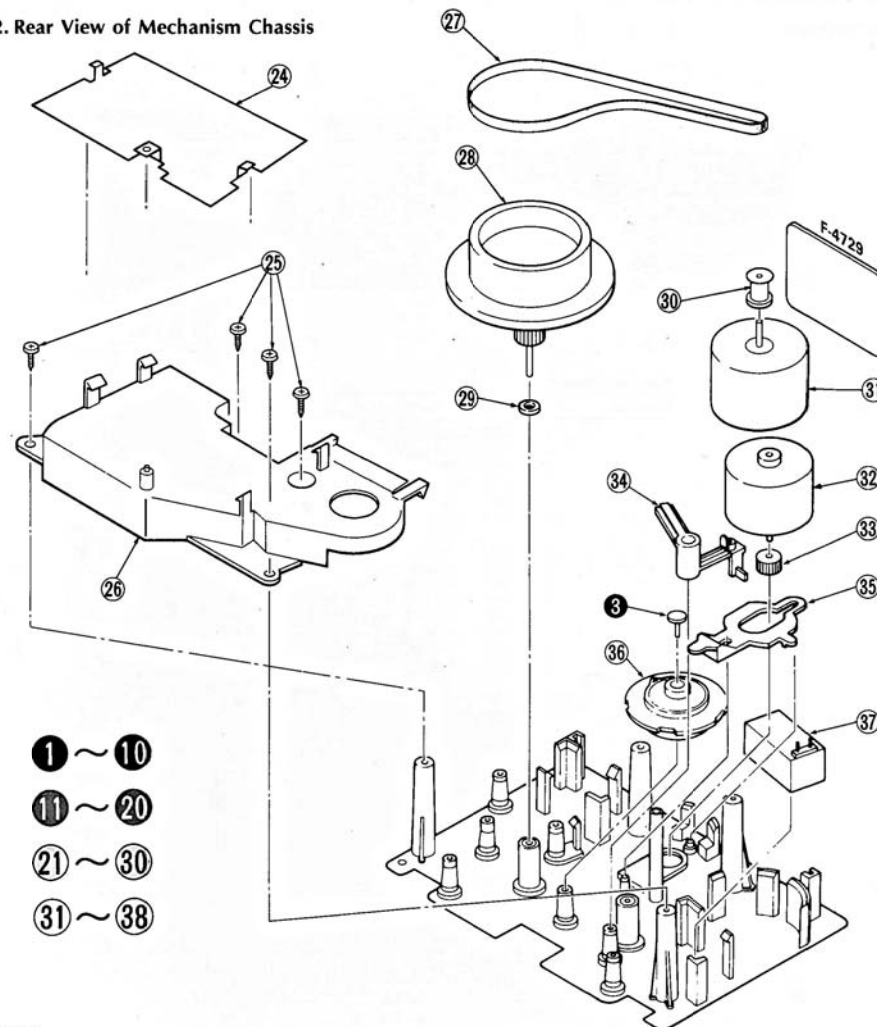


Parts List

| Parts No. | Stock No. | Description              |
|-----------|-----------|--------------------------|
| 1         | 46267900  | Tapping Screw, M3.0×8    |
| 2         | 47644500  | Spring, eject            |
| 3         | 47420900  | Plastic Tack             |
| 4         | 47281810  | Pinch Roller Ass'y       |
| 5         | 47483100  | Spring, pinch roller     |
| 6         | 47406200  | Spring, head base        |
| 7         | 47405600  | Spring, slide base       |
| 8         | 47668600  | Spring, plunger solenoid |
| 9         | 47404700  | Washer, d=2.5            |
| 10        | 47293510  | Spring, half             |

| Parts No. | Stock No. | Description          |
|-----------|-----------|----------------------|
| 11        | 47709610  | Spring, reel         |
| 12        | 13127800  | Tapping Screw, M2×12 |
| 13        | 47404900  | Steel Ball, φ2.0     |
| 14        | 47405000  | Arm Ass'y            |
| 15        | 47404800  | Washer, d=1.6        |
| 16        | 47497100  | Washer, d=2.0        |
| 17        | 47835500  | Reel Gear Ass'y      |
| 18        | 47723010  | Sensor Arm (A)       |
| 19        | 47284110  | Head Base            |
| 20        | 46920300  | REC/PB Head          |

8-2. Rear View of Mechanism Chassis



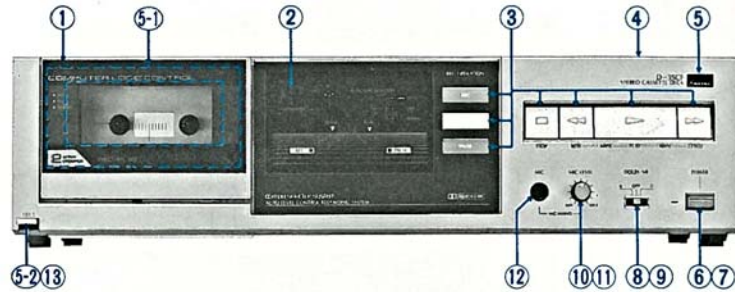
Parts List

| Parts No. | Stock No. | Description                  |
|-----------|-----------|------------------------------|
| 21        | 07997400  | Erase Head                   |
| 22        | 47406100  | Spring azimuth               |
| 23        | 00420900  | Binding Head Screw, M2×12    |
| 24        |           | Shield Plate                 |
| 25        | 46267800  | Pan Head Tapping Screw, M3×8 |
| 26        | 47658030  | Sub Chassis                  |
| 27        | 47405100  | Belt                         |
| 28        | 47598100  | Flywheel Ass'y               |
| 29        | 47404600  | Washer, d=2.5                |
| 30        | 47283200  | Pulley                       |

| Parts No. | Stock No. | Description      |
|-----------|-----------|------------------|
| 31        | 46737400  | Capstan Motor    |
| 32        | 46737500  | Reel Motor       |
| 33        | 47293110  | Gear, reel motor |
| 34        | 47281610  | Lock Arm         |
| 35        | 47293810  | Arm (B)          |
| 36        | 47283830  | Assist Gear      |
| 37        | 47292610  | Plunger Solenoid |
| 38        | 47292520  | Sensor Arm B     |

### 9. OTHER PARTS

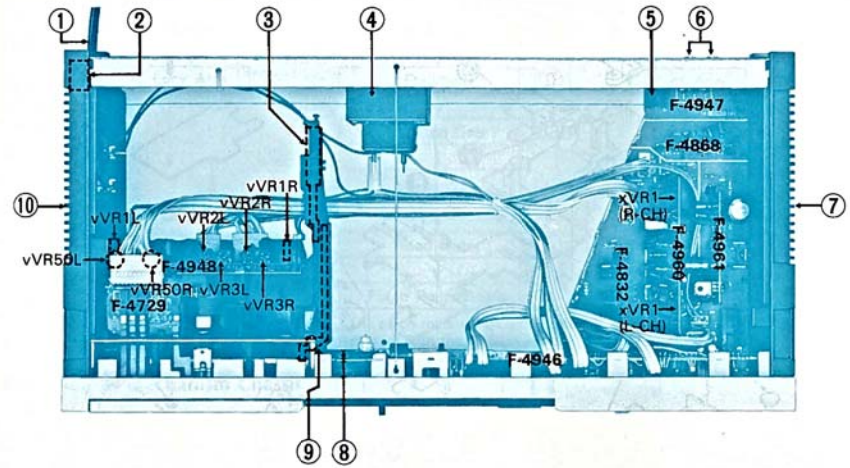
9-1. Front View



Parts List <Front View>

| Parts No. | Stock No. | Description   |
|-----------|-----------|---|
| 1         | 47768900  | Cassette Lid Ass'y<br><Silver Model>                      |
|           | 47769000  | Cassette Lid Ass'y<br><Black Model>                       |
| 2         | 48173000  | Tape Counter  |
| 3         | 46396700  | Push SW., REW, F.FWD, PLAY,<br>REC, STOP, PAUSE, REC MUTE |
| 4         | 47823500  | Bonnet <Silver Model>                                     |
|           | 47874700  | Bonnet <Black Model>                                      |
| 5         | 47769300  | Front Panel Ass'y <Silver Model>                          |
|           | 47769400  | Front Panel Ass'y <Black Model>                           |
| 5-1       | 47678700  | Cassette Holder Ass'y                                     |
| 5-2       | 47776100  | Knob, EJECT <Silver Model>                                |
|           | 47776200  | Knob, EJECT <Black Model>                                 |
| 6         | 47747000  | Push Knob, POWER<br><Silver Model>                        |
|           | 47747100  | Push Knob, POWER<br><Black Model>                         |
| Δ 7       | 48172700  | Push SW., POWER   |
| 8         | 47774900  | Slide Knob, DOLBY NR<br><Silver Model>                    |
|           | 47704000  | Slide Knob, DOLBY NR<br><Black Model>                     |
| 9         | 48126800  | Slide SW., DOLBY NR                                       |
| 10        | 47794600  | Knob, MIC LEVEL <Silver Model>                            |
|           | 07895410  | Knob, MIC LEVEL <Black Model>                             |
| 11        | 48172800  | 50kΩ V.R., MIC LEVEL                                      |
| 12        | 24306100  | Jack, MIC   |
| 13        | 47673000  | Spring, EJECT   |

9-2. Top View



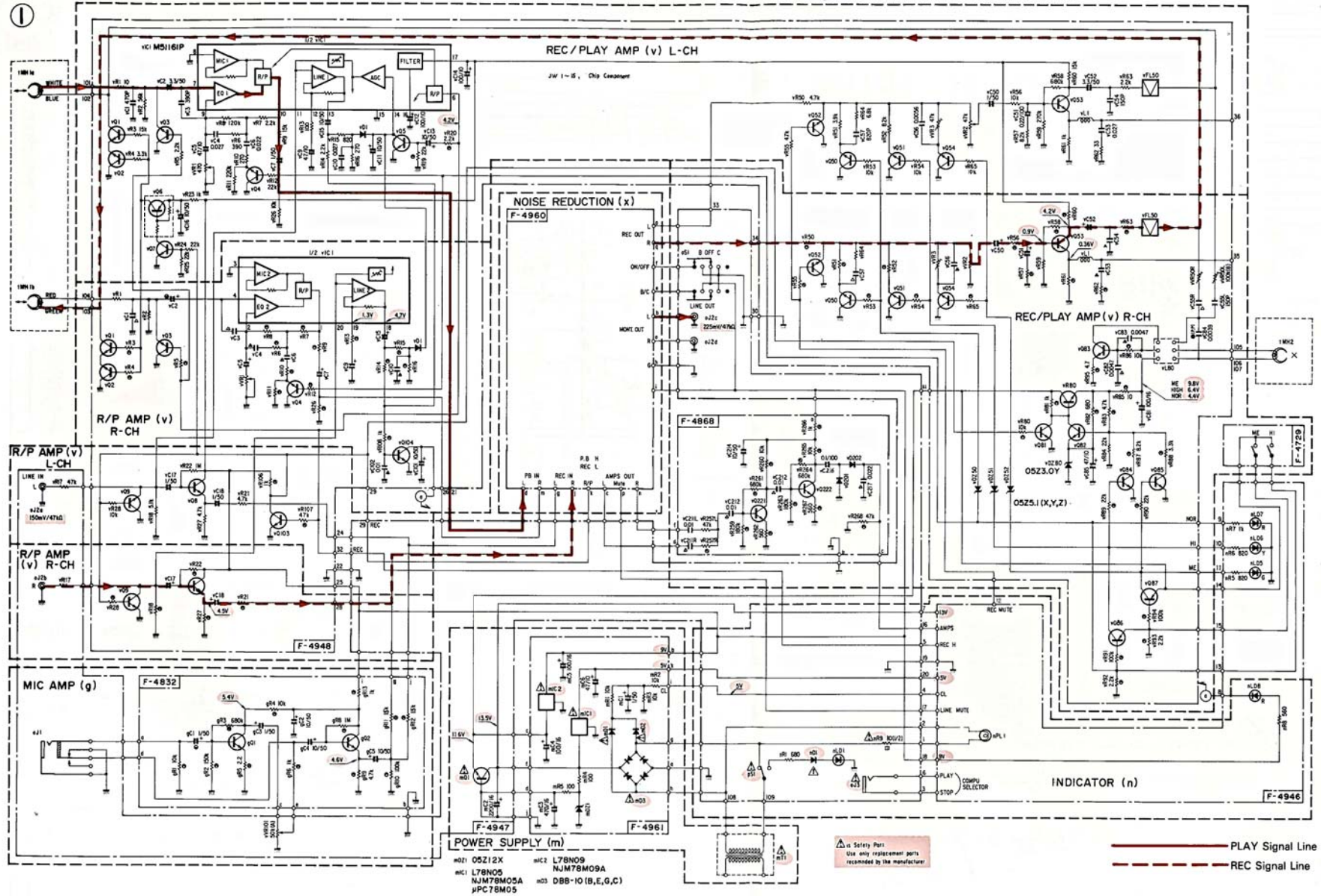
Parts List <Top View>

| Parts No. | Stock No. | Description                               |
|-----------|-----------|---|
| Δ 1       | 38005400  | Power Supply Cord (XX,XX-V,CSA)           |
| Δ         | 38004700  | Power Supply Cord (UL)                    |
| Δ         | 38004500  | Power Supply Cord (EU)                    |
| Δ         | 38004300  | Power Supply Cord (BS)                    |
| Δ         | 07204200  | Power Supply Cord (AS)                    |
| 2         | 47157300  | AC Cord Cover                             |
| 3         | 48126700  | Damper Ass'y                              |
| Δ 4       | 15019701  | Power Transformer (XX)                    |
| Δ         | 15019709  | Power Transformer (XX-V)                  |
| Δ         | 15019702  | Power Transformer (UL,CSA)                |
| Δ         | 15019705  | Power Transformer (EU,BS,AS)              |
| Δ 5       | 46547200  | Mini Jack, COMPU SELECTOR                 |
| 6         | 46371500  | 4P Terminal, LINE OUT                     |
| 7         | 47768700  | Side Panel Ass'y (R)<br><Silver Model>    |
|           | 47874800  | Side Panel Ass'y (R)<br><Black Model>     |
| 8         | 47768200  | Counter Belt                              |
| 9         | 47628500  | Damper Joint Shaft                        |
| 10        | 47768800  | Side Panel Ass'y (L)<br><Silver Model>    |
|           | 47874900  | Side Panel Ass'y (L)<br><Black Model>     |
| Δ         | 48175200  | Plug, Voltage Selector (XX-V)             |
| Δ         | 07204700  | Slide SW., Voltage Selector<br>(EU,BS,AS) |



10. SCHEMATIC DIAGRAM 10-1. Audio Amp. Section

• Design and specifications subject to change without notice for improvement.  
 • La présentation et les spécifications sont susceptibles d'être modifiées sans préavis par suites d'améliorations éventuelles.  
 • Änderungen, die dem technischen Fortschritt dienen, bleiben vorbehalten.

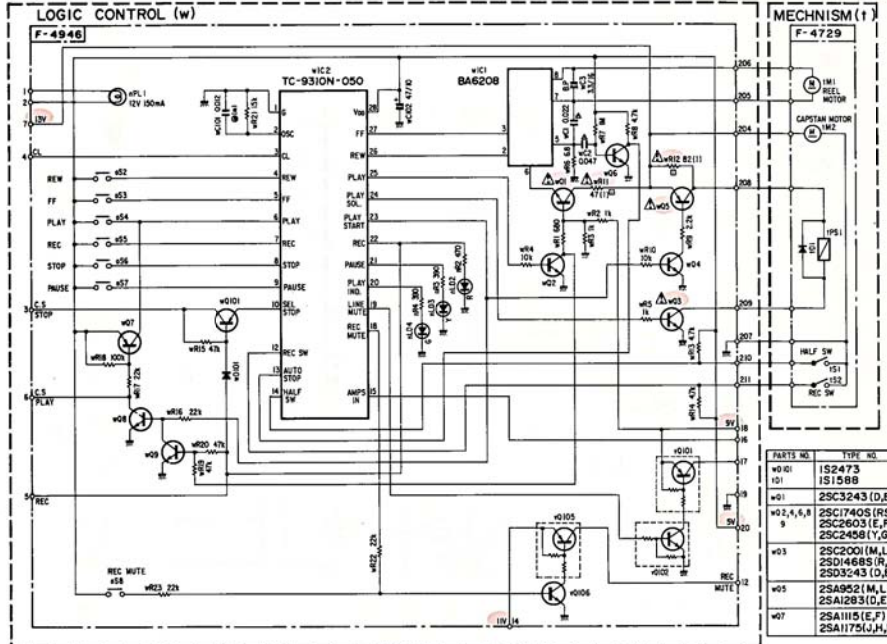


- 2SA952
- 2SA1283
- 2SC1845
- 2SC2001
- 2SC3300
- 2SC3243
- 2SC3244
- 2SD357
- 2SA9335
- 2SA1175
- 2SA1115
- 2SC17405
- 2SC2458
- 2SD1468S
- 2SC2603
- DTA124ES
- DTC124
- BA6208
- CX-20187
- M51161P
- TC9310N-050
- DBB10-B
- 1S1588TP-3
- 1S2473T77
- RLS-73
- 0523.0
- 0525.1
- 05212

1  
2  
3  
4  
5

10-2. Logic Control Section

2



| PARTS NO. | TYPE NO.          |
|-----------|-------------------|
| w01       | 1S2473            |
| w01       | 1S1588            |
| w01       | 25C3243 (D,E)     |
| w02,4,6,8 | 25C1740S (R,S,E)  |
|           | 25C2603 (E,F)     |
|           | 25C2458 (Y,G,R)   |
| w03       | 25C2001 (M,L)     |
|           | 25D1468S (R,S)    |
|           | 25D3543 (D,E)     |
| w05       | 25A9521 (M,L)     |
|           | 25A1283 (D,E)     |
| w07       | 25A1115 (E,F)     |
|           | 25A1175 (J,H,F,E) |

**SYMBOL OF FUNCTION**  
 (g) MIC AMP  
 (m) POWER SUPPLY  
 (o) SELECTOR  
 (p) FIXED PARTS  
 (f) MECHANISM  
 (v) REC/PLAY AMP  
 (w) LOGIC CONTROL  
 (x) NOISE REDUCTION

**SYMBOL**  
 Δ Ceramic Capacitor  
 ▽ Barrier Layer Capacitor  
 ⊕ Mylar Capacitor  
 ⊖ Low-Leak Electrolytic  
 B.P. Bi-Polar Electrolytic  
 □ Non-Inductance Resistor  
 ⊕ Chip Component (Cylindrical Type)  
 ⊖ Chip Component  
 ⊕ Fusing Resistor  
 ⊖ Non-Polypropylene Film

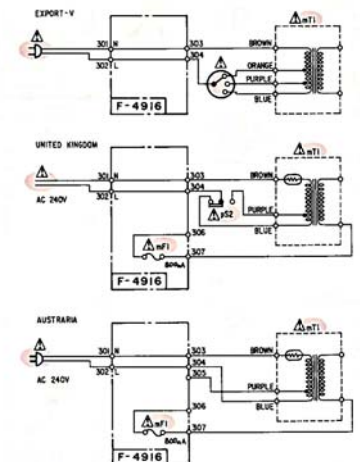
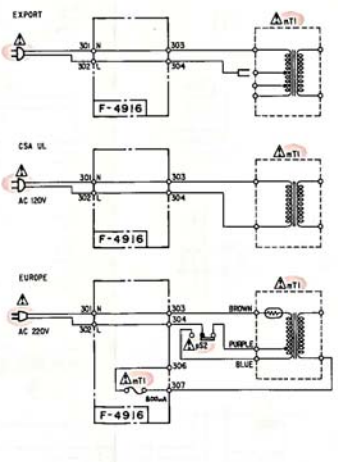
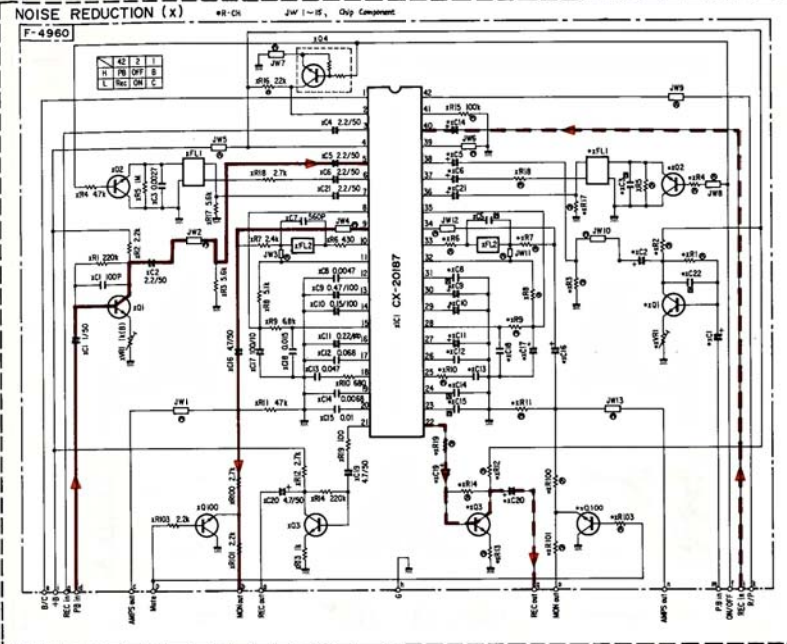
**RESISTORS**  
 Are in ohms, 1/4 Watts, ± 5% Tolerance  
 Unless Otherwise Noted. 1.5k, M, MG

**CAPACITORS**  
 Are in μF, Unless Otherwise Noted. P, μF  
 Electrolytic Capacitor  
 Capacitance(μF)/Volt(V)

**CHIP RESISTORS**  
 Are 1/8 Watts

Each D.C. Voltage shows the nominal value in volts during recording

— PLAY Signal Line  
 - - - REC Signal Line



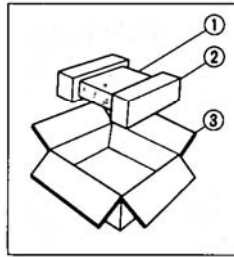
- 25A952
- 25A1283
- 25C1845
- 25C2001
- 25C2320
- 25C3243
- 25C3244
- 25A9335
- 25A1175
- 25C1740S
- 25C2458
- 25C2603
- DTA1246S
- DTC124
- BA6208
- CX-20187
- MS1161P
- TC9310N-050
- DB810-B
- 1S1588TP-3
- 1S2473T77
- RLS-73
- 0523.0
- 0525.1
- 0521.2

1  
2  
3  
4  
5



## 11. PACKING LIST

| Parts No. | Stock No. | Description  |
|-----------|-----------|--|
| 1         | 47859900  | Vinyl Cover  |
| 2         | 47764600  | Styrofoam Packing                                    |
| 3         | 47769500  | Carton Case < Silver Model ><br>(XX,UL,CSA,EU,BS,AS) |
|           | 47769700  | Carton Case < Silver Model ><br>(XX-V)               |
|           | 47769600  | Carton Case < Black Model ><br>(XX,UL,CSA,EU,BS,AS)  |
|           | 47769800  | Carton Case < Black Model ><br>(XX-V)                |



## 12. ACCESSORY LIST

| Stock No. | Description           |
|-----------|-----------------------|
| 48181100  | PJP Cord              |
| 48181300  | Mini Pin Plug Cord    |
| 94300500  | Head Cleaner          |
| 46966400  | Operating Instruction |

•Note: XX-V<EXPORT (V)> Standard Version with Inner Voltage Selector.  
("V" mark is indicated on the carton case.)

D-35CF

*Sansui*

SANSUI ELECTRIC CO., LTD.:

SANSUI ELECTRONICS CORPORATION:

SANSUI ELECTRONICS (U.K.) LTD.:  
SANSUI ELECTRONICS G.M.B.H.:

14-1, Izumi 2-chome, Suginami-ku, Tokyo 168 Japan  
PHONE: (03) 324-8891/TELEX: 232-2076 (International Division)  
1250 Valley Brook Ave. Lyndhurst, N.J. 07071 U.S.A.  
17150 South Margay Ave. Carson, California 90746 U.S.A.  
3036 Kospaka Street, Honolulu, Hawaii 96819 U.S.A.  
Unit 10A, Lyon Industrial Estate, Rockware Avenue, Geenford, Middx UB6, OAA, England  
Pau Ehrich Strasse 8, 6074 Rödermark 2, West Germany

(SM1-214)

Printed in Japan (D45220M) <Stock No. 36514300>